

length a

min. 11,75

70

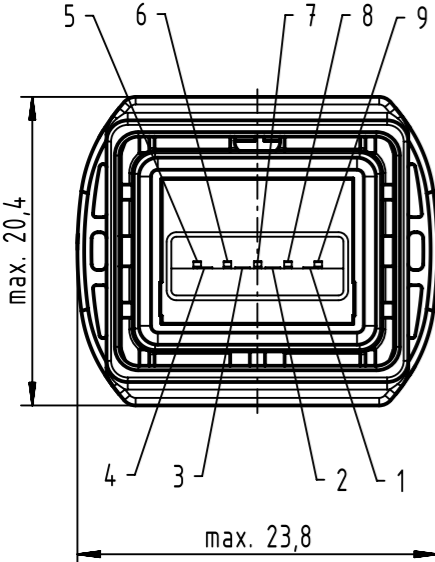
min. 11,75

A

B

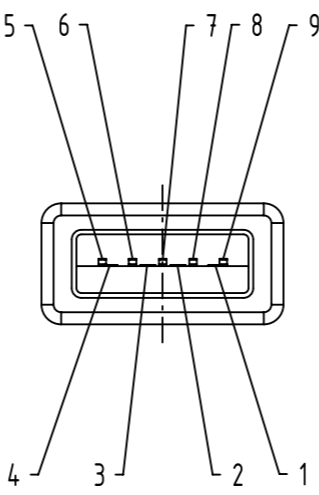
A

B



	1	2	3	4	5	6	7	8	9	Shell
V Bus	1									
D-	2									
D+	3									
GND	4									
StdA_SSRX-	5									
StdA_SSRX+	6									
GND_DRAIN	7									
StdA_SSTX-	8									
StdA_SSTX+	9									
Shield										Shell

loading-plan



further information see USB specification 3.0
www.usb.org and product data sheet

6	09 45 445 2915	PP-V4-CA-USB3A-PP/IP20-P-P-STR-5.0	5,0 ±0,10
5	09 45 445 2914	PP-V4-CA-USB3A-PP/IP20-P-P-STR-3.0	3,0 ±0,05
4	09 45 445 2913	PP-V4-CA-USB3A-PP/IP20-P-P-STR-2.0	2,0 ±0,05
3	09 45 445 2912	PP-V4-CA-USB3A-PP/IP20-P-P-STR-1.5	1,5 ±0,05
2	09 45 445 2911	PP-V4-CA-USB3A-PP/IP20-P-P-STR-1.0	1,0 ±0,05
1	09 45 445 2910	PP-V4-CA-USB3A-PP/IP20-P-P-STR-0.5	0,5 ±0,03
no.	part no.	description	length a [metre]

	All rights reserved Department EL PD	All Dimensions in mm Original Size DIN A3		Scale 2:1	Free size tol.	Ref. Sub.
		Created by STORCK	Inspected by ELLERMANN	Standardisation HOFFMANN	Date 2018-11-27	State Final Release
HARTING Electronics GmbH D-32339 Espelkamp		Title PP-V4-CA-USB3A-PP/IP20-P-P-STR			Doc-Key / ECM-Nr. 100800431/UGD/049/A 500000141508	
		Type TB	Number 0945445291X		Rev. A	Page 1/1